

## HMK12AA KAPPA LBP Compressor High Efficiency R600a 220-240V 50Hz

### General

Code number	CDO000033
Approvals	EN 60335-2-34 w. Annex AA
Compressors on pallet	100

### Application

Application	LBP		
Frequency	Hz	50	60
Evaporating temperature	°C	-35 to -5	-
Voltage range	V	187 to 264	-
Max. condensing temperature continuous (short)	°C	60 (70)	-
Max. winding temperature continuous (short)	°C	130 (130)	-

### Cooling requirements

Frequency	Hz	50			60		
Application		LBP	MBP	HBP	LBP	MBP	HBP
32°C		S	-	-	-	-	-
38°C		S	-	-	-	-	-
43°C		S	-	-	-	-	-
Remarks on application:							

### Motor

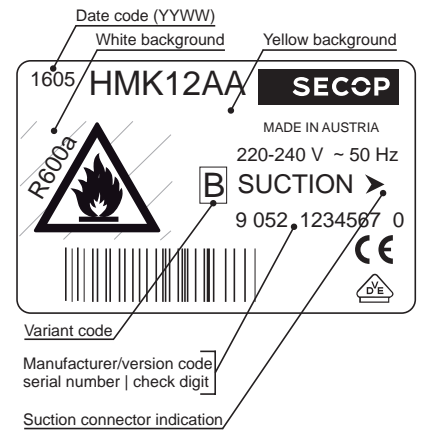
Motor type	RSIR		
LRA (rated after 4 sec. UL984), HST   LST	A	-	5.6
Cut in Current, HST   LST	A	-	5.8
Resistance, main   start winding (25°C)	Ω	16.3	15.7

### Design

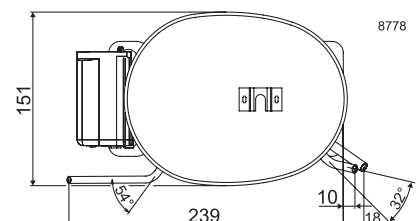
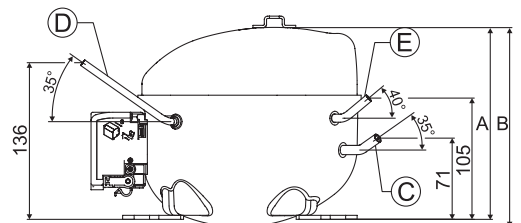
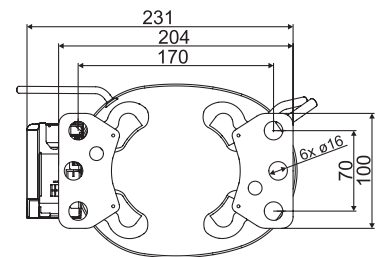
Displacement	cm <sup>3</sup>	11.2
Oil quantity (type)	cm <sup>3</sup>	165 (mineral)
Maximum refrigerant charge	g	150
Free gas volume in compressor	cm <sup>3</sup>	1600
Weight without electrical equipment	kg	8.6

### Dimensions

Height	mm	A	167.0
		B	173.5
Suction connector	location/I.D. mm   angle	C	6.15   35°
	material   comment		Copper   Rubber plug
Process connector	location/O.D. mm   angle	D	6.00   35°
	material   comment		Copper   Rubber plug
Discharge connector	location/I.D. mm   angle	E	5.15   40°
	material   comment		Copper   Rubber plug
Oil cooler connector	location/I.D. mm   angle	F	-
	material   comment		-
Connector tolerance	I.D. mm		±0.05
Remarks:			



- S = Static cooling normally sufficient
- O = Oil cooling
- F<sub>1</sub> = Fan cooling 1.5 m/s  
(compressor compartment temperature equal to ambient temperature)
- F<sub>2</sub> = Fan cooling 3.0 m/s necessary
- SG = Suction gas cooling normally sufficient
- = not applicable in this area



**EN 12900 Household**

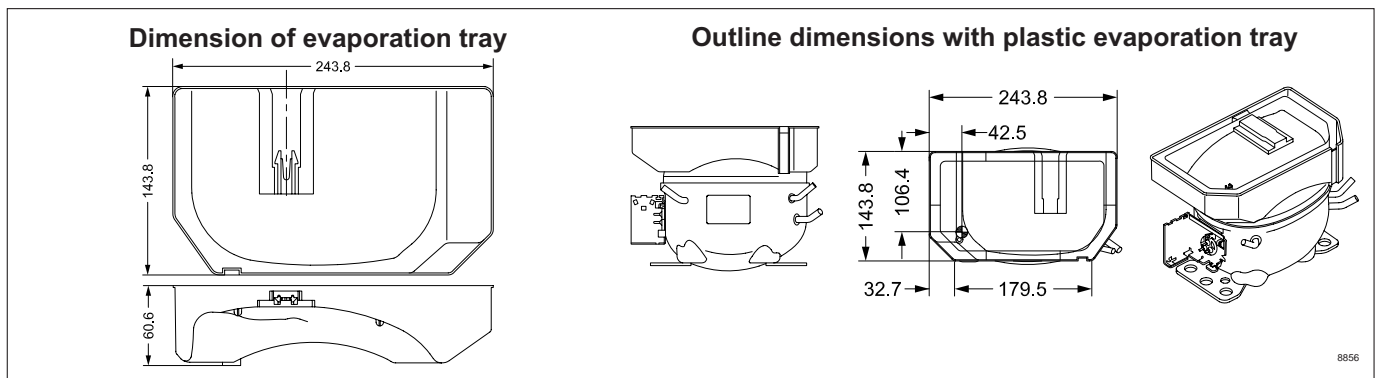
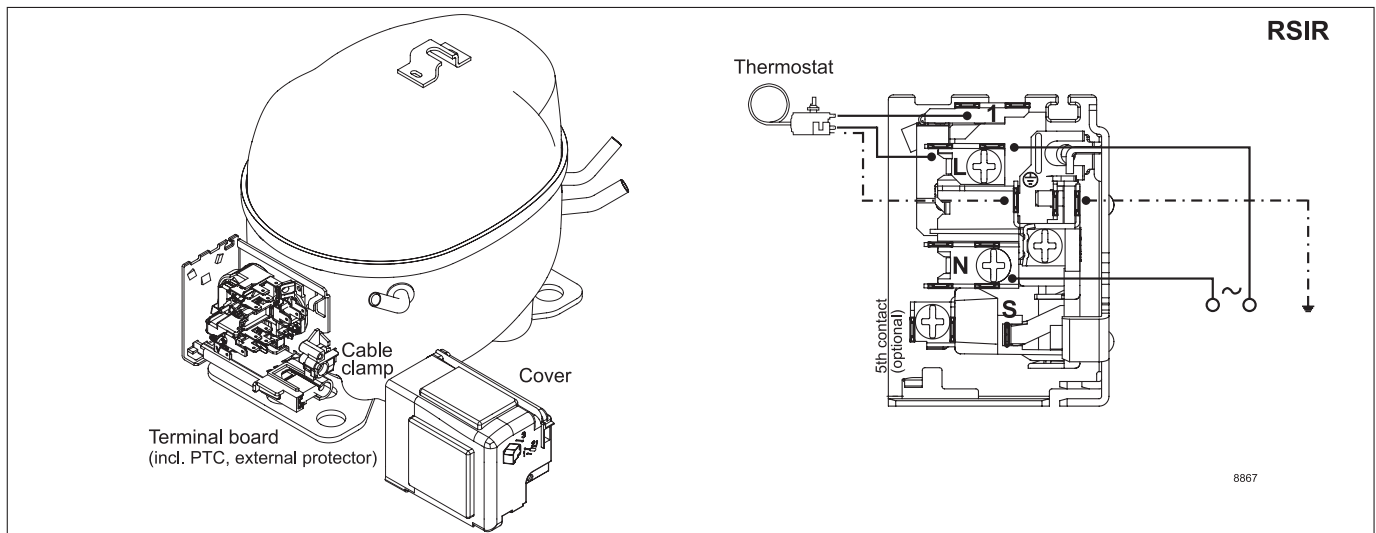
220V, 50Hz, PTC consumption incl., static cooling

Evap. temp. in °C	-45	-40	-35	-30	-25	-23.3	-20	-15	-10	-6.7	-5	0	5	7.2	10	15	20
Capacity in W			81.6	113	149	163	191	238	291	329	349						
Power cons. in W			90.8	107	124	130	141	159	177	189	195						
Current cons. in A			0.69	0.76	0.85	0.87	0.93	1.01	1.10	1.15	1.18						
COP in W/W			0.90	1.05	1.20	1.25	1.35	1.50	1.65	1.74	1.79						

**ASHRAE LBP**

220V, 50Hz, PTC consumption incl., static cooling

Evap. temp. in °C	-45	-40	-35	-30	-25	-23.3	-20	-15	-10	-6.7	-5	0	5	7.2	10	15	20
Capacity in W			99.3	137	182	198	233	290	355	401	425						
Power cons. in W			90.6	107	124	129	140	158	175	187	193						
Current cons. in A			0.69	0.76	0.84	0.87	0.93	1.01	1.09	1.15	1.18						
COP in W/W			1.10	1.28	1.47	1.53	1.66	1.84	2.02	2.14	2.20						



Accessories for	HMK12AA	Code number
Terminal board (incl. PTC and external protector)	4.8 mm or 6.3 mm spade connectors	ZAFP / DAFP
Motor Protector	AE 72 FU x	FP
Cable clamp (screws not included)		113410_
Cover		157595_
Evaporation tray (optional)		113188_

Test conditions	EN 12900 Household	ASHRAE LBP
Condensing temperature	55°C	54.4°C
Ambient temperature	32°C	32°C
Suction gas temperature	32°C	32°C
Liquid temperature	no subcooling	32°C

All-in-one equipment, e.g. 4ZN	Code number
Cover / cable clamp + screws / earthing screw	16168000

Mounting accessories	Code number
on request, various options available	

Nidec GA Compressors accepts no responsibility for possible errors in catalogs, brochures, and other printed material. Nidec GA Compressors reserves the right to alter its products without notice. This also applies to products already on order provided that such alterations can be made without subsequential changes being necessary to specifications already agreed. All trademarks in this material are the property of the respective companies. Secop and the Secop logotype are trademarks of Nidec Global Appliance Germany GmbH. All rights reserved. [www.secop.com](http://www.secop.com)