

## SC18CNX LBP/MBP Compressor R290 220-240V 50Hz

### General

|                       |               |
|-----------------------|---------------|
| Code number           | 104H8865      |
| Approvals             | EN 60335-2-34 |
| Compressors on pallet | 80            |

### Application

| Application                                    | LBP/MBP |           |    |
|--|---------|-----------|----|
| Frequency                                      | Hz      | 50        | 60 |
| Evaporating temperature                        | °C      | -40 to 5  | -  |
| Voltage range                                  | V       | 198 - 254 | -  |
| Max. condensing temperature continuous (short) | °C      | 55 (65)   | -  |
| Max. winding temperature continuous (short)    | °C      | 125 (135) | -  |

### Cooling requirements

| Frequency               | Hz | 50             |                |     | 60  |     |     |
|-------------------------|----|----------------|----------------|-----|-----|-----|-----|
| Application             |    | LBP            | MBP            | HBP | LBP | MBP | HBP |
| 32°C                    |    | F <sub>2</sub> | F <sub>2</sub> | -   | -   | -   | -   |
| 38°C                    |    | F <sub>2</sub> | F <sub>2</sub> | -   | -   | -   | -   |
| 43°C                    |    | F <sub>2</sub> | F <sub>2</sub> | -   | -   | -   | -   |
| Remarks on application: |    |                |                |     |     |     |     |

### Motor

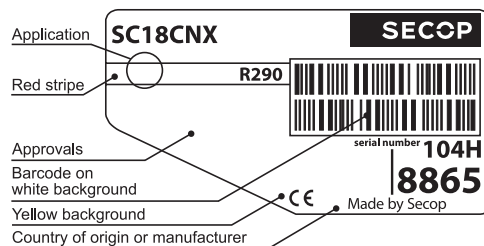
| Motor type                                | CSR |      |      |
|---|-----|------|------|
| LRA (rated after 4 sec. UL984), HST   LST | A   | 19.5 | -    |
| Cut in Current, HST   LST                 | A   | 19.5 | -    |
| Resistance, main   start winding (25°C)   | Ω   | 4.6  | 17.8 |

### Design

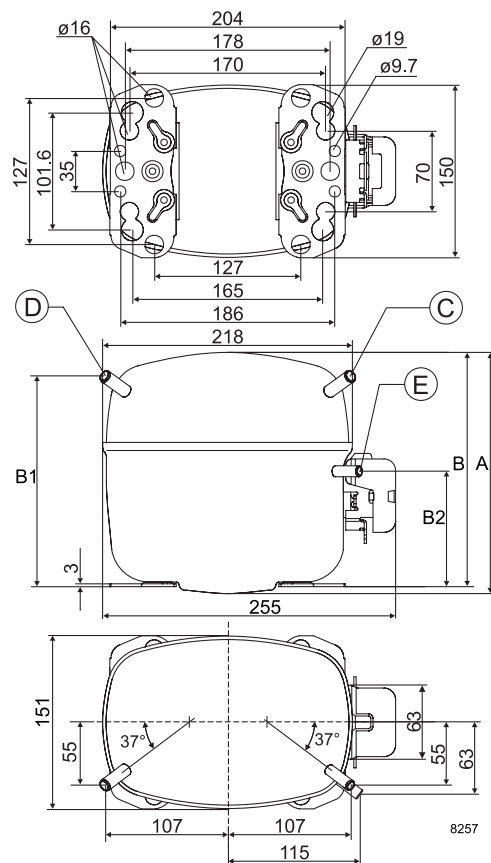
|                                     |                 |                   |
|-------------------------------------|-----------------|-------------------|
| Displacement                        | cm <sup>3</sup> | 17.69             |
| Oil quantity (type)                 | cm <sup>3</sup> | 600 (polyolester) |
| Maximum refrigerant charge          | g               | 150               |
| Free gas volume in compressor       | cm <sup>3</sup> | 1460              |
| Weight without electrical equipment | kg              | 13.5              |

### Dimensions

|                      |                          |    |                      |
|----------------------|--------------------------|----|----------------------|
| Height               | mm                       | A  | 209                  |
|                      |                          | B  | 203                  |
|                      |                          | B1 | 183                  |
|                      |                          | B2 | 100                  |
| Suction connector    | location/I.D. mm   angle | C  | 10.2   37°           |
|                      | material   comment       |    | Copper   Rubber plug |
| Process connector    | location/I.D. mm   angle | D  | 6.2   37°            |
|                      | material   comment       |    | Copper   Rubber plug |
| Discharge connector  | location/I.D. mm   angle | E  | 6.2   37°            |
|                      | material   comment       |    | Copper   Rubber plug |
| Oil cooler connector | location/I.D. mm   angle | F  | -                    |
|                      | material   comment       |    | -                    |
| Connector tolerance  | I.D. mm                  |    | ±0.09                |
| Remarks:             |                          |    |                      |



- S = Static cooling normally sufficient
- O = Oil cooling
- F<sub>1</sub> = Fan cooling 1.5 m/s (compressor compartment temperature equal to ambient temperature)
- F<sub>2</sub> = Fan cooling 3.0 m/s necessary
- SG = Suction gas cooling normally sufficient
- = not applicable in this area

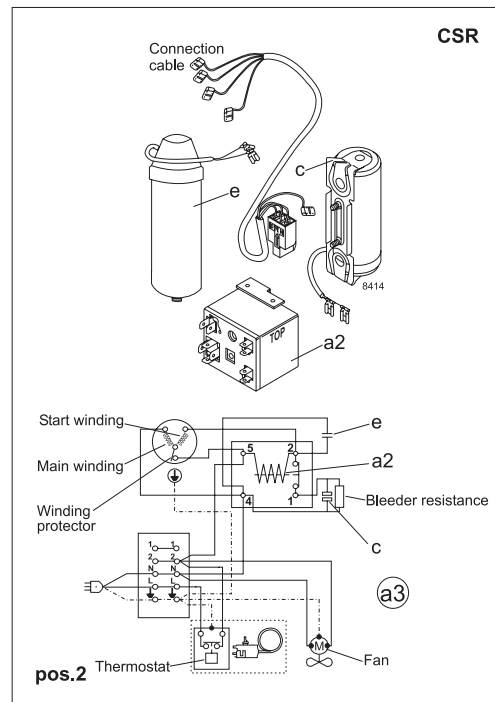
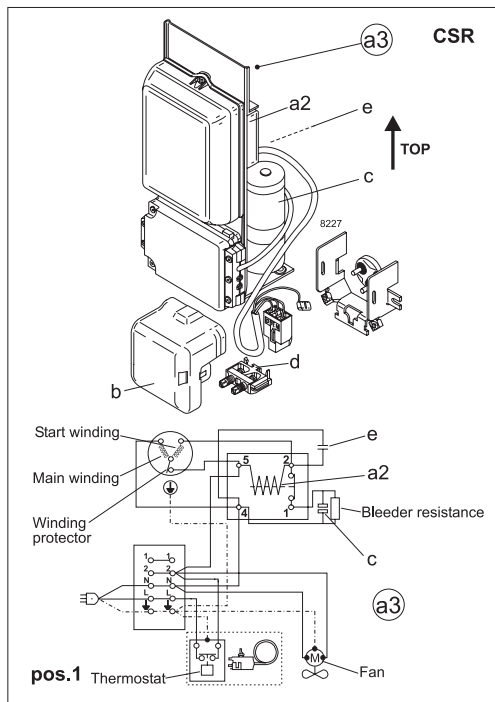


**EN 12900 Household (CECOMAF)\*** 220V, 50Hz, fan cooling F<sub>2</sub>

|                    |     |      |      |      |      |       |      |      |      |      |      |      |      |     |    |    |    |
|--------------------|-----|------|------|------|------|-------|------|------|------|------|------|------|------|-----|----|----|----|
| Evap. temp. in °C  | -45 | -40  | -35  | -30  | -25  | -23.3 | -20  | -15  | -10  | -6.7 | -5   | 0    | 5    | 7.2 | 10 | 15 | 20 |
| Capacity in W      |     | 219  | 341  | 480  | 640  | 700   | 824  | 1033 | 1272 | 1448 | 1543 | 1849 | 2193 |     |    |    |    |
| Power cons. in W   |     | 304  | 370  | 435  | 500  | 522   | 566  | 635  | 707  | 756  | 783  | 864  | 952  |     |    |    |    |
| Current cons. in A |     | 1.80 | 2.08 | 2.34 | 2.60 | 2.68  | 2.85 | 3.09 | 3.32 | 3.47 | 3.54 | 3.76 | 3.97 |     |    |    |    |
| COP in W/W         |     | 0.72 | 0.92 | 1.10 | 1.28 | 1.34  | 1.45 | 1.63 | 1.80 | 1.91 | 1.97 | 2.14 | 2.30 |     |    |    |    |

**ASHRAE LBP\*** 220V, 50Hz, fan cooling F<sub>2</sub>

|                    |     |      |      |      |      |       |      |      |      |      |      |      |      |     |    |    |    |
|--------------------|-----|------|------|------|------|-------|------|------|------|------|------|------|------|-----|----|----|----|
| Evap. temp. in °C  | -45 | -40  | -35  | -30  | -25  | -23.3 | -20  | -15  | -10  | -6.7 | -5   | 0    | 5    | 7.2 | 10 | 15 | 20 |
| Capacity in W      |     | 244  | 380  | 535  | 714  | 781   | 919  | 1154 | 1422 | 1618 | 1726 | 2070 | 2456 |     |    |    |    |
| Power cons. in W   |     | 304  | 370  | 435  | 500  | 522   | 566  | 635  | 707  | 756  | 783  | 864  | 952  |     |    |    |    |
| Current cons. in A |     | 1.80 | 2.08 | 2.34 | 2.60 | 2.68  | 2.85 | 3.09 | 3.32 | 3.47 | 3.54 | 3.76 | 3.97 |     |    |    |    |
| COP in W/W         |     | 0.80 | 1.03 | 1.23 | 1.43 | 1.49  | 1.62 | 1.82 | 2.01 | 2.14 | 2.20 | 2.39 | 2.58 |     |    |    |    |



| Accessories for       | SC18CNX              | Figure     | Code number                   |
|-----------------------|----------------------|------------|-------------------------------|
| Starting device       | 550 mm cable length  | a3 (pos.1) | 117-7052                      |
| Starting device (kit) | 1000 mm cable length | (pos.2)    | 117-9718                      |
| Starting relay        |                      | a2         | Components of starting device |
| Start. capacitor      |                      | c          |                               |
| Run capacitor         |                      | e          |                               |
| Cover                 |                      | b          | 103N2009                      |
| Cord relief           |                      | d          | 103N1004                      |

| Test conditions         | EN 12900/CECOMAF* | ASHRAE LBP* |
|-------------------------|-------------------|-------------|
| Condensing temperature  | 45°C              | 45°C        |
| Ambient temperature     | 32°C              | 32°C        |
| Suction gas temperature | 32°C              | 32°C        |
| Liquid temperature      | no subcooling     | 32°C        |

| Mounting accessories     | Code number |          |
|--------------------------|-------------|----------|
| Bolt joint for one comp. | Ø: 16 mm    | 118-1917 |
| Bolt joint in quantities | Ø: 16 mm    | 118-1918 |
| Snap-on in quantities    | Ø: 16 mm    | 118-1919 |

Nidec GA Compressors accepts no responsibility for possible errors in catalogs, brochures, and other printed material. Nidec GA Compressors reserves the right to alter its products without notice. This also applies to products already on order provided that such alterations can be made without subsequential changes being necessary to specifications already agreed. All trademarks in this material are the property of the respective companies. Secop and the Secop logotype are trademarks of Nidec Global Appliance Germany GmbH. All rights reserved. [www.secop.com](http://www.secop.com)