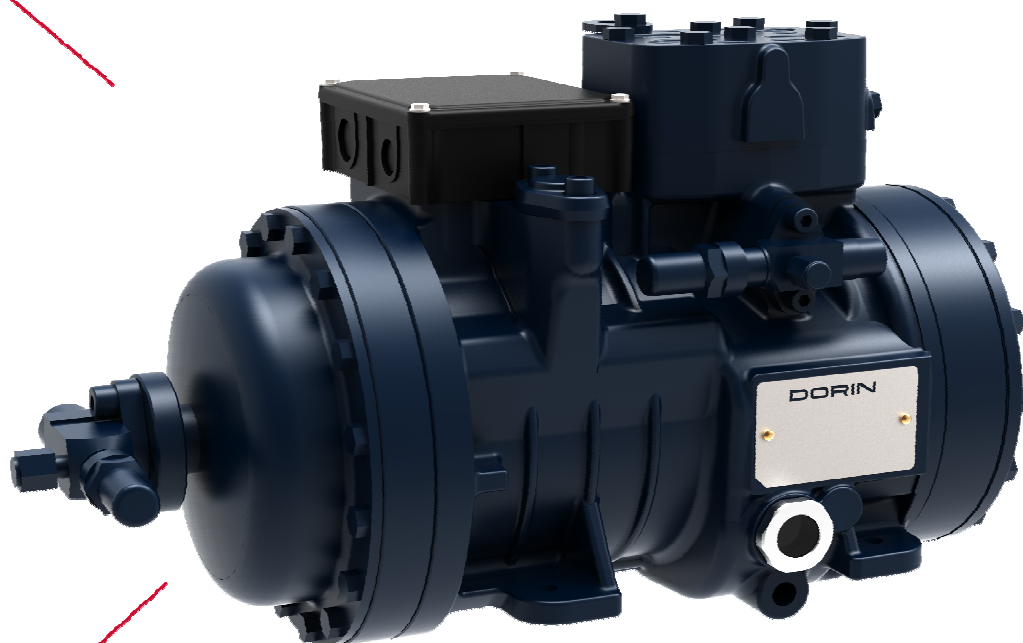




OFFICINE MARIO DORIN SINCE 1918  
**DORIN**<sup>®</sup>  
INNOVATION

**RICAMBI**  
SPARE PARTS

**HI11**  
(INVERTER)  
SERIES  
2015



**SEMI-HERMETIC MOTOR COMPRESSORS**  
**MOTOCOMPRESSORI SEMIERMETICI**

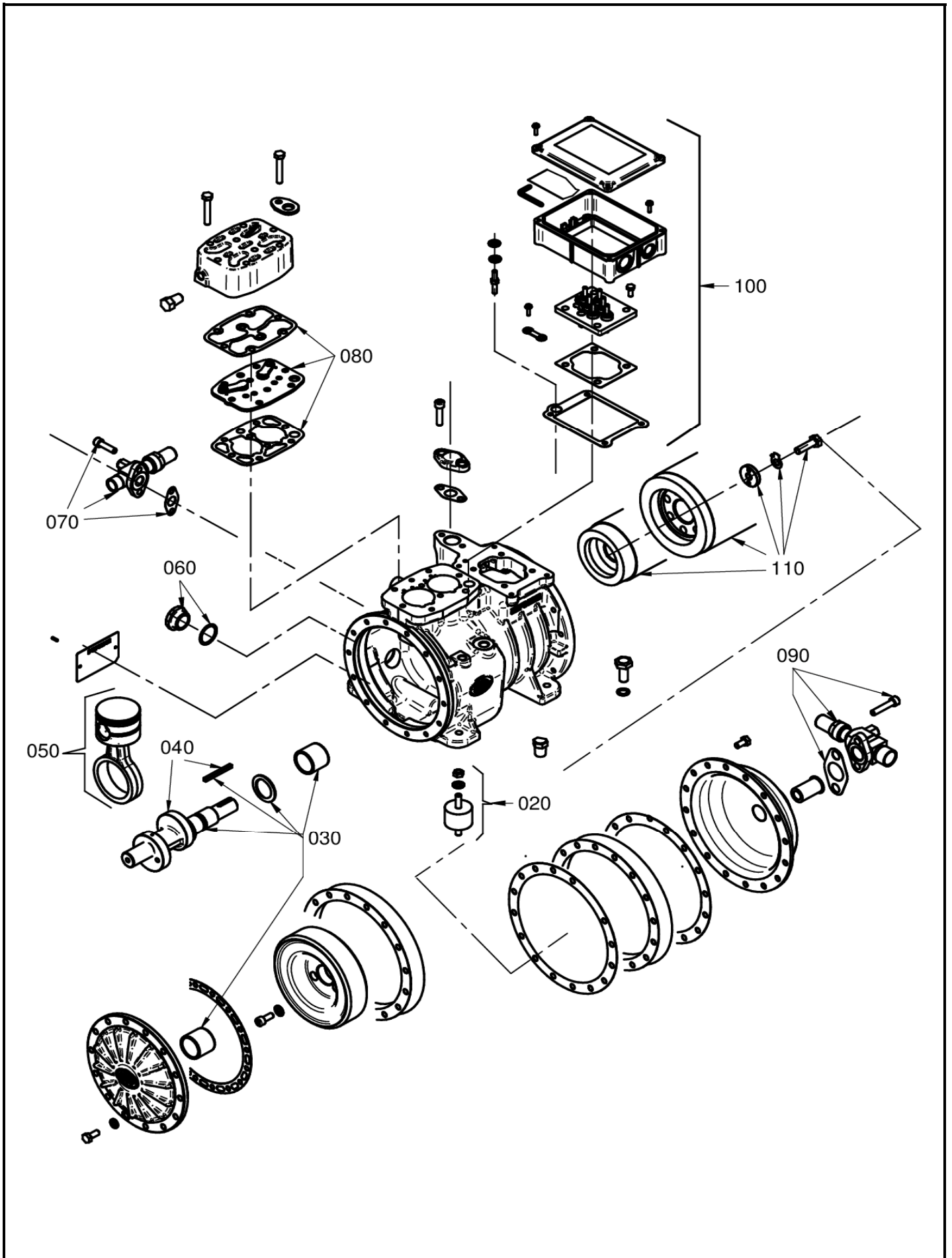


OFFICINE MARIO DORIN SINCE 1918  
**DORIN**  
INNOVATION

M/COMPRESSORE - M/COMPRESSOR

**H11**

ESPLOSO COMMERCIALE - COMMERCIAL EXPLODED VIEW





OFFICINE MARIO DORIN SINCE 1918  
**DORIN**  
INNOVATION

M/COMPRESSORE - M/COMPRESSOR

**HI11**



RIF.	QUANTITA'			CODICE CODE	DESCRIZIONE	DESCRIPTION
	HI101CC	HI151CC	HI241CC			
020	1	1	1	1CC5026	Kit sospensioni compl.	Vibration damper kit compl.
030	1	1	1	1CKJ010	Kit bronzine + rasamento	Bushing + thrust kit
040	1	-	-	1MKA210	Albero completo c.28	Complete shaft c.28
040	-	1	1	1MKA211	Albero completo c.36	Complete shaft c.36
050	2	-	-	1MCDC36	Kit biella - pistone	Conn.rod. - piston compl.
050	-	2	-	1MCDC37	Kit biella - pistone	Conn.rod. - piston compl.
050	-	-	2	1MCDC34	Kit biella - pistone	Conn.rod. - piston compl.
060	1	1	1	1CCQ501	Spia olio completa	Oil sight glass
070	1	-	-	1RKC025	Rubinetto di mandata	Discharge service valve
070	-	1	1	1RKC026	Rubinetto di mandata	Discharge service valve
080	1	1	-	1PKP011	Piastra valvole	Complete valve plate
080	-	-	1	1PCB098	Piastra valvole	Complete valve plate
090	1	1	-	1RKC055	Rubinetto aspirazione D18	Suction service valve D18
090	-	-	1	1RKA030	Rubinetto aspirazione D22	Suction service valve D22
100	1	1	1	1RKJ005	Scatola att.el.+piastra	Electrical plate and box
110	1	-	-	1RKK006	Roto-statore 50Hz	Stator-rotor 50Hz
110	-	1	-	1RKK005	Roto-statore 50Hz	Stator-rotor 50Hz
110	-	-	1	1RKK009	Roto-statore 50Hz	Stator-rotor 50Hz
110	1	-	-	1RKK077	Roto-statore 60Hz	Stator-rotor 60Hz
110	-	1	-	1RKK081	Roto-statore 60Hz	Stator-rotor 60Hz
110	-	-	1	1RKK085	Roto-statore 60Hz	Stator-rotor 60Hz

## ACCESSORI - ACCESSORIES

	1	1	-	1CCM196	Serie completa guarnizioni	Complete gasket set
	-	-	1	1CCM197	Serie completa guarnizioni	Complete gasket set
	1	1	1	1CCT024	Testa raffreddata ad acqua	Water-cooled head
	1	1	1	1ACS827	Ventilatore ausiliario	Auxiliary head fan
	1	1	1	2EG2020	Resistenza carter 220V	Crankcase heater 220V
	1	1	1	2EG1050	Resistenza carter 110V	Crankcase heater 110V
	1	1	1	2EG1080	Resistenza carter 24V	Crankcase heater 24V
	1	1	1	2CC4010	Modulo per termistori	Thermistors module

**NOTE / NOTES**



OFFICINE MARIO DORIN SINCE 1918  
**DORIN**<sup>®</sup>  
INNOVATION

OFFICINE MARIO DORIN S.p.A.  
Via Aretina 388, 50061 Compiobbi - Florence, Italy  
Tel. +39 055 62321 1 - Fax +39 055 62321 380

[dorin@dorin.com](mailto:dorin@dorin.com)  
[www.dorin.com](http://www.dorin.com)